

TECHNICAL SPECIFICATION

Product Code	5005
Minimum Pressure	0.2 Bar
Maximum Pressure	5 Bar
Overall Height	375mm
Spout Exit Height	250mm
Spout Exit Reach	210mm

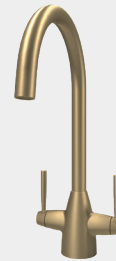
AVAILABLE FINISHES



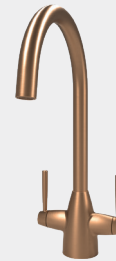
CHROME
5005CM



BRUSHED
CHROME
5005BF



BRUSHED
BRASS
5005BB

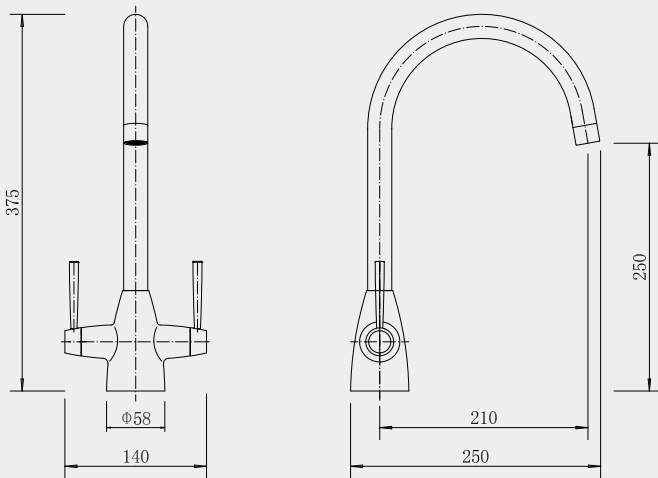


BLACK
5005BC

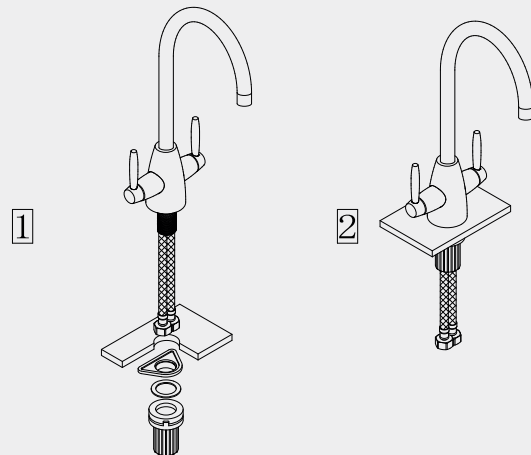


BLACK
5005B

TECHNICAL DIMENSIONS



INSTALLATION GUIDE



GB:
Marflow Engineering Ltd,
Britannia House, Austin Way,
Hamstead Industrial Estate,
Birmingham, B42 1DU

T: +44 (0) 121 358 1555
E: sales@stjamesengland.com

Ireland:
Sanbra Fyffe Ltd T/A Instantor
Instantor Works, Santry Avenue,
Santry, Dublin,
Ireland D09 K160

T: +353 (0)1 842 6255
E: sales@instantor.ie